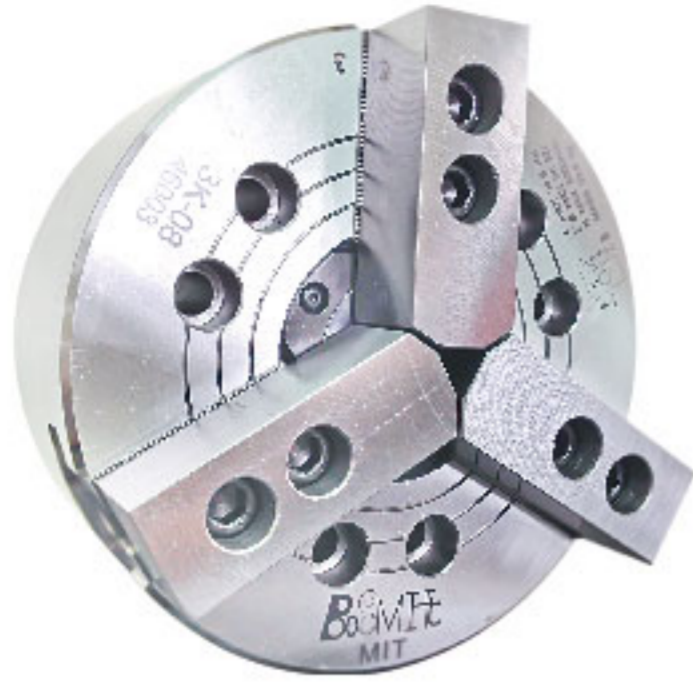
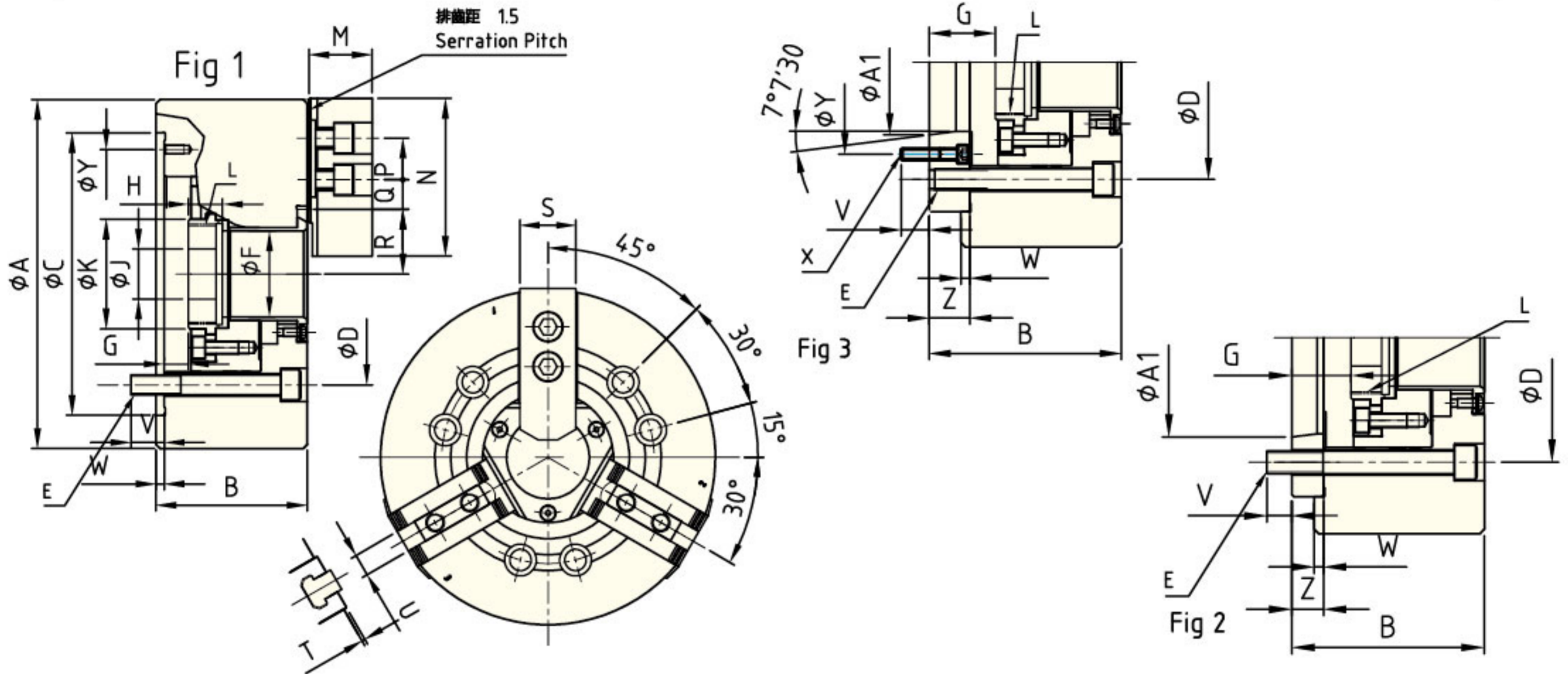


# 三爪中空夾頭

## 3B(D)



- ◆ 楔形三爪超大貫通孔徑
- ◆ It's a WEDGE-HOOK type 3-jaw with the extra large through-hole.
- ◆ 滑動面均經硬化及精密研磨並直接潤滑
- ◆ Matching surfaces of all parts hardened, ground and lubricated directly.
- ◆ 高剛性結構及高夾持精度
- ◆ Construction of high rigidity and high clamping accuracy.
- J值為連結螺帽未車製螺牙時的孔徑。L值為連結螺帽可車製螺牙之最大規格，但可依實際需求訂製
- J value is the hole diameter of bank draw nut, L is the maximum thread specification, and it could be customize.



### 外觀尺寸 Dimensions

型號	A	B	C	D	E	F	G Max	G Min	H	J	K	L
3B(D)-04	110	59	85	70.6	3-M10	26	3.5	-6.5	17.5	12	38	M32x1.5
3B(D)-05 A4	135	60 71	110	82.6	3-M10	33	1 16	-9 6	20	12	45	M40x1.5
3B(D)-06 A5	168	81 91	140	104.8	6-M10	45	11 26	-1 14	19	20	60	M55x2.0
3B(D)-08 A6	210	91 103	170	133.4	6-M12	52	14.5 31.5	-1.5 15.5	20.5	30	66	M60x2.0
3B(D)-10 A6	254	100 120	220	171.4	6-M16	75	8.5 33.5	-10.5 -14.5	25	45	94	M85x2.0
3B(D)-10 A8	254	100 113	220	171.4	6-M16	75	8.5 26.5	-10.5 7.5	25	45	94	M85x2.0
3B(D)-12 A6	304	110 129	220	133.4	6-M16	91	8 33	-15 10	28	50	108	M90x2.0
3B(D)-12 A8	304	110 122	220	171.4	6-M16	91	8 26	-15 3	28	50	108	M100x2.0

型號	M	N	P	Q Max	Q Min	R Max	R Min	S	T	U	V	W	X	Y	Z	A1	Fig
3B(D)-04	24	52	14	11.25	6.75	23	20.3	23	2	10	16	4	-	-	-	-	1
3B(D)-05 A4	31	62	14	19.75	7.75	26.5	23.8	25	2	10	15	4	3~M6	-	15	63.51	2
3B(D)-06 A5	37	73	20	22.75	9.25	32	29.25	31	2	12	16	5	3~M6	-	15	82.56	2
3B(D)-08 A6	38	95	25	29.75	14.75	38.7	35	35	2	14	20 18	5	3~M6	-	17	106.38	2
3B(D)-10 A6	43	110	30	33.75	14.25	51	46.6	40	2	16	22 18	5	6~M12	133.4	25	106.38	3
3B(D)-10 A8	43	110	30	33.75	14.25	51	46.6	40	2	16	22 24	5	3~M8	-	18	139.72	2
3B(D)-12 A6	51	130	30	45.75	15.75	61.3	56	50	2	21	23 18.5	6	6~M12	133.4	25	106.38	3
3B(D)-12 A8	51	130	30	45.75	15.75	61.3	56	50	2	21	23 25	6	3~M8	-	18	139.72	2

### 技術規格 Specifications

型號	活塞行程 mm Plunger stroke	爪行程(直徑)mm Jaw stroke (Dia.)	夾持直徑 mm Chucking Dia. Max Min	容許最大入力 KN (kgf) Max. Draw Bar Pull Force	最大夾持力 KN (kgf) Max. Gripping Force	最高轉速 (rpm) Max. Speed	I Kg-m <sup>2</sup>	重量 Kg Weight	配合迴轉缸 Maoning Cylinder	最高使用壓力 Max. Pressure Mpa (kg/cm <sup>2</sup> )
3B(D)-04	10	5.4	110 7	14.0 (1400)	28.4 (2900)	8000	0.01	4	CT-533	2.3 (23)
3B(D)-05 A4	10	5.4	135 12	17.5 (1700)	35.8 (3600)	7000	0.02	6.7 7.5	CT-533	2.9 (29)
3B(D)-06 A5	12	5.5	169 16	22.0 (2200)	56.8 (5800)	6000	0.06	11.9 13.7	CT-646	2.8 (28)
3B(D)-08 A6	16	7.4	210 13	34.3 (3500)	85.8 (8755)	5000	0.17	22.5 23.6	CT-852	2.8 (28)
3B(D)-10 A6	19	8.8	254 31	43.0 (4300)	111.0 (11300)	4200	0.30	34.5 41.5	CT-1075	2.7 (27)
3B(D)-10 A8	19	8.8	254 31	43.0 (4300)	111.0 (11300)	4200	0.30	34.5 40.0	CT-1075	2.7 (27)
3B(D)-12 A6	23	10.6	304 34	54.9 (5600)	144.0 (14600)	3300	0.70	56.6 67.0	CT-1291	2.7 (27)
3B(D)-12 A8	23	10.6	304 34	54.9 (5600)	144.0 (14600)	3300	0.70	56.6 64.0	CT-1291	2.7 (27)

※本公司生產具平衡可調整結構式之夾頭，可調整 I 值

※ The company produces a balanced structure of adjustable chuck, adjustable I value