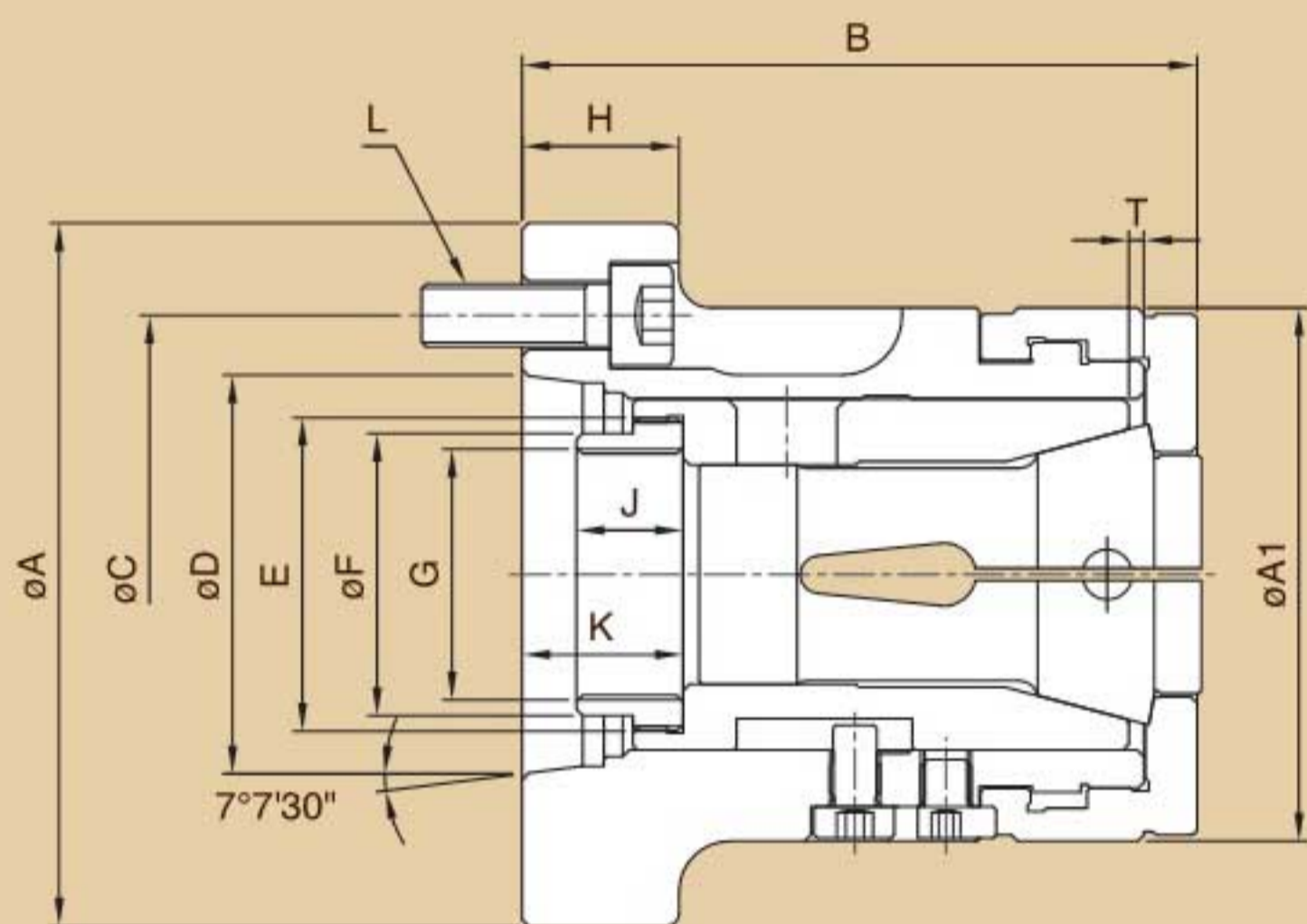


## 筒夾夾頭

新產品  
**NEW**



### 尺寸圖 » Dimensions



使用筒夾必須符合DIN 6343規範  
Use collect which conform with DIN6343



Multibore Collet



Spring Collet

### 規格表 » Specifications

單位/UNIT:mm

型式/規格 MODEL / SPEC.	A	A1	B	C	D	E
CK30A4	112	85	107.5	82.6	63.513	M50x1.5P
CK42A5	135	100	127	104.8	82.563	M66x1.5P
CK42A6	165	100	127	133.4	106.375	M66x1.5P
CK60A6	165	130	150	133.4	106.375	M90x1.5P

型式/規格 MODEL / SPEC.	F	G max.	H	J	K max.	K min.
CK30A4	45	M40x1.5P	25	17	28	23
CK42A5	60	M55x2P	27	25	34	28
CK42A6	65.8	M60x2P	32	25	34	28
CK60A6	82	M75x2P	27	30	38	32

型式/規格 MODEL / SPEC.	L	T	套筒行程 Sleeve Stroke (mm)	淨重 Weight (kg)	最高迴轉速 Max. Speed r.p.m (min <sup>-1</sup> )	搭配油壓缸型號 Matching Cylinder
CK30A4	3-M10x1.5P	2.3	5	4.0	7000	P1036
CK42A5	4-M10x1.5P	3.2	6	6.2	6000	P1246
CK42A6	4-M12x1.75P	3.2	6	7.6	6000	P1552
CK60A6	4-M12x1.75P	3.2	6	11.1	5000	P1875

型式/規格 MODEL / SPEC.	搭配筒夾型號 Matching Collet Ref		夾持範圍 Gripping Range			最大推力 Max. Push Force kgf (KN)	最大靜夾持力 Max. Gripping Force kgf (KN)
	Spring Collet	Multibore Collet	圓棒 Round	六角材 Hexagonal	方材 Square		
CK30A4	163E	M-669	ø3~ø30	4~27	5~20	2040(20)	4488(44)
CK42A5	173E	M-673	ø3~ø42	6~36	6~30	2550(25)	5610(55)
CK42A6	173E	M-673	ø3~ø42	6~36	6~30	2550(25)	5610(55)
CK60A6	185E	M-677	ø4~ø60	8~52	7~42	3060(30)	6630(65)