

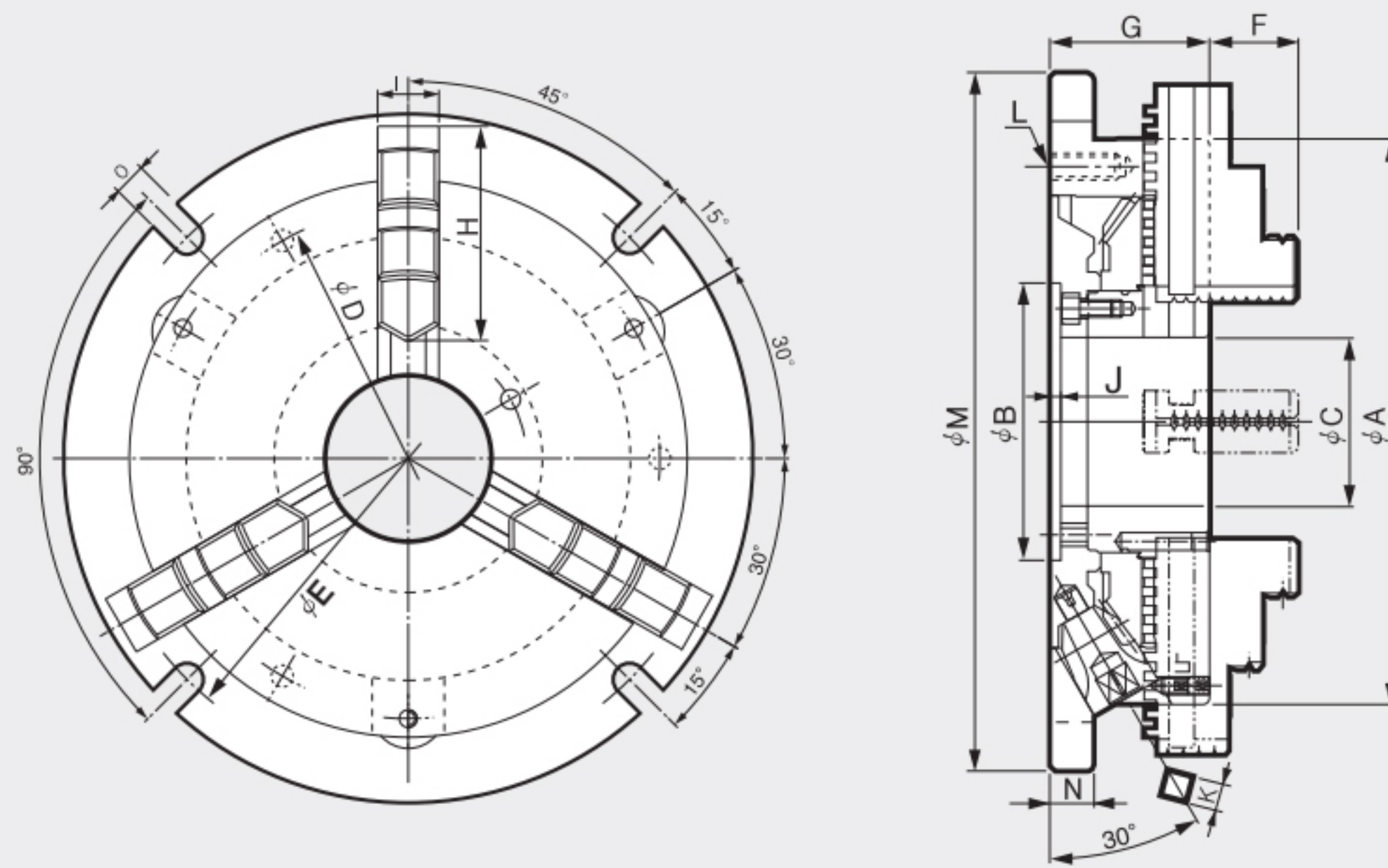
SL 标准插床卡盘 (固定爪)

Standard Slotter Chuck (Hard Jaws)

■ Standard slotter chuck with solid jaw
(incl. internal and external hard jaws)

■ 标准插床卡盘带单件卡爪 (包括内外硬爪)

SLOTTER CHUCK



Dimensions

	φA	φB(HC6)	φC	φD	φE	F	G	H	I	J	K	L	M	N	O
SL-08	215	110	60	190.5	240	35.04	64	85	25	4	11	M10	266	17	13
SL-10	255	125	76	230	286	40.02	72	98	28	4.5	12	M12	315	20	15
SL-12	305	160	100	280	340	45.05	76	110	30	5	14	M12	370	22	17

Specifications

Type	Max. Static Gripping Force.		Clamping Range		Handle Torque	Weight
	最大静态夹持力		夹持直径			
	kN(kgf)		External (φmm)	Internal (φmm)	操作力矩	重量
					[N·m(kgf·m)]	[kgf]
SL-08	37(3,800)		58~174	4~182	117.7(13)	17.6
SL-10	46(4,700)		68~212	4~220	176.5(18)	27.7
SL-12	55(5,620)		80~263	5~266	196.2(20)	40

※ Specifications are subject to change without notice.

※ 技术规格若发生改变, 恕不另行通知.