

FTC 标准前装三爪卡盘 (两件卡爪)

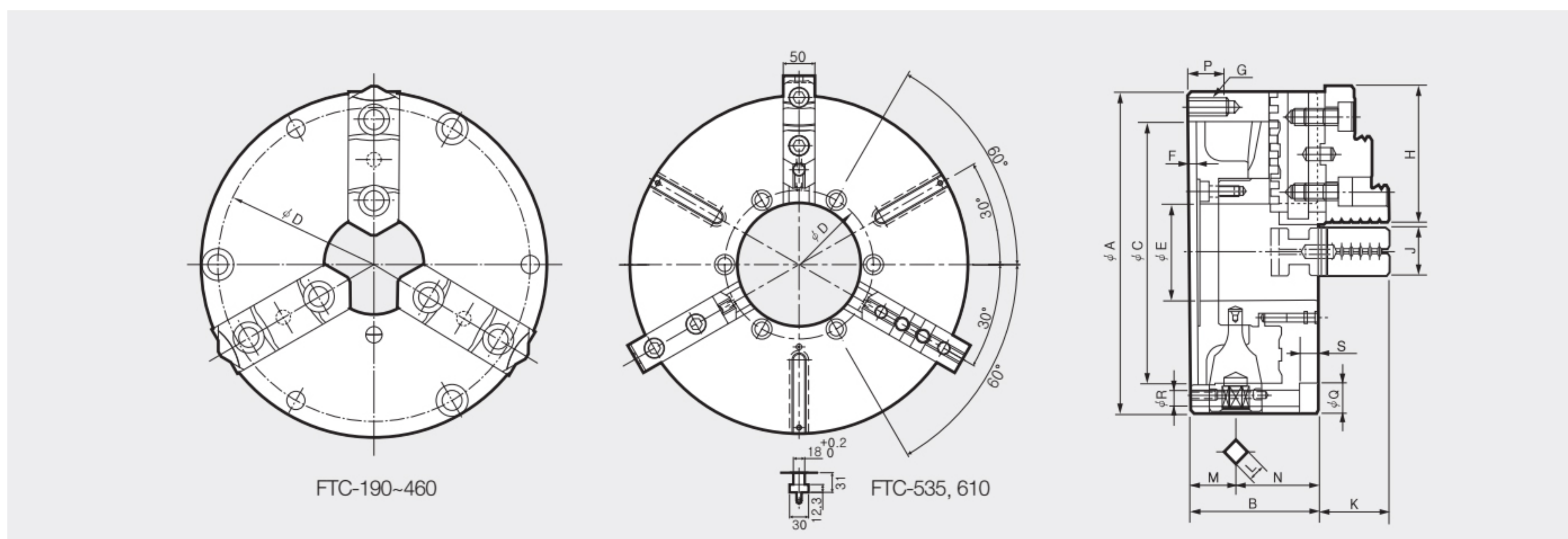
Front-Mounting Scroll Chuck (Soft and Hard top Jaws)



■ Front-mounting 2-piece jaw scroll chuck
(incl. soft and hard top jaws)

■ 前装两件卡爪卡盘 (包括铁上爪和硬上爪)

SCROLL CHUCK



Dimensions

	ΦA	B	ΦC(H6)	ΦD	ΦE	F	G	H	J	K	L	M	N	P	ΦQ	ΦR	S	Mounting Bolt	
																		Bolt	
FTC-190(7")	192	78.7	155	172	57	5	3-M10	80.5	28	42.8	11	27.5	51.2	20	16.5	10.5	10.5	M10	
FTC-230(9")	232	83.7	190	210	75	6	3-M12	90.5	32	53.8	12	29.5	54.2	25	20	13	12.5	M12	
FTC-273(10")	273	88	230	250	89	6	3-M12	103.5	35	57.82	12	31.5	56.5	25	20	13	12.5	M12	
FTC-310(12")	310	96	260	285	100	7	3-M12	115.5	40	56.08	14	31.5	64.5	25	20	13	12.5	M12	
FTC-460(18")	460	114	400	425	190	8	-	140(130)	50	80	17	38.2	76	-	26	18	18	6-M16X125	
FTC-535(21")	535	143	270	235	195	12	-	150(130)	50	82	22	57.5	85.5	-	32	22	22	6-M20X140	
FTC-610(24")	610	143	380	315	275	14	-	130	50	82	22	57.5	85.5	-	32	22	21	6-M20X140	

Specifications

Type	Max. Static Gripping Force 最大静态夹持力 [kN(kgf)]	Clamping Range 夹持直径		Handle Torque 操作力矩 [N·m(kgf·m)]	Max. R.P.M. 最大转速 [min ⁻¹ (r.p.m)]	Weight 重量 [kgf]	GD ² 容许工作惯性 [N·m ² (kgf·m ²)]
		External [φmm]	Internal [φmm]				
FTC-190(7")	31(3161)	4~180	56~170	107.9(11.0)	3500	12.2	2.35(0.24)
FTC-230(9")	37(3773)	5~220	62~210	147(15.0)	2900	21.2	6.27(0.64)
FTC-273(10")	46(4691)	5~260	70~250	176.5(18.0)	2500	28	9.90(1.01)
FTC-310(12")	55(5608)	10~300	86~290	206(21.0)	2200	41	23.0(2.35)
FTC-460(18")	65(6650)	40~410	152~436	255.0(26)	1200	106	124(12.6)
FTC-535(21")	73(7400)	45~481	155~499	313.9(32)	950	182	287(29.3)
FTC-610(24")	80(8200)	130~576	235~592	372.7(38)	850	238	488(49.8)

※ Specifications are subject to change without notice.

※ 技术规格若发生改变, 恕不另行通知.