



独立卡盘 (固定爪)

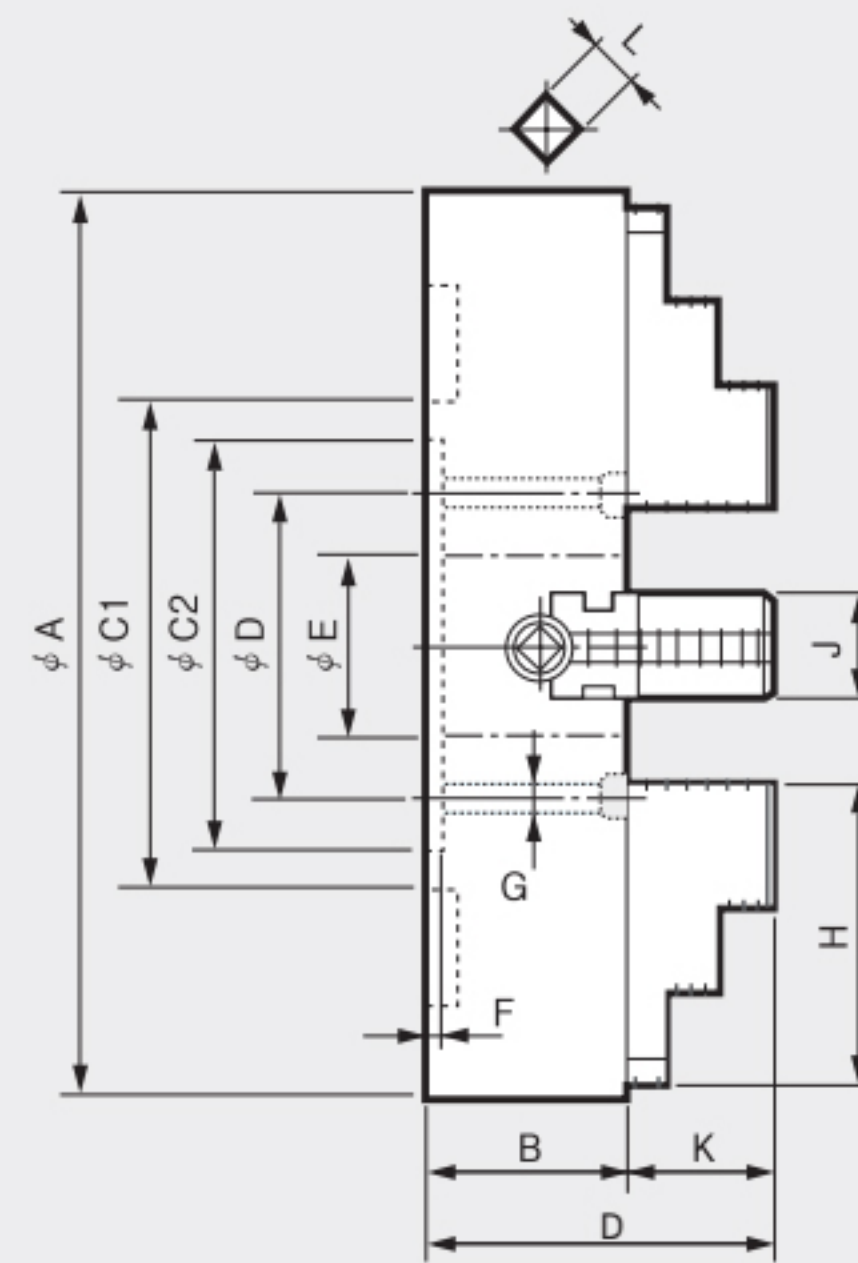
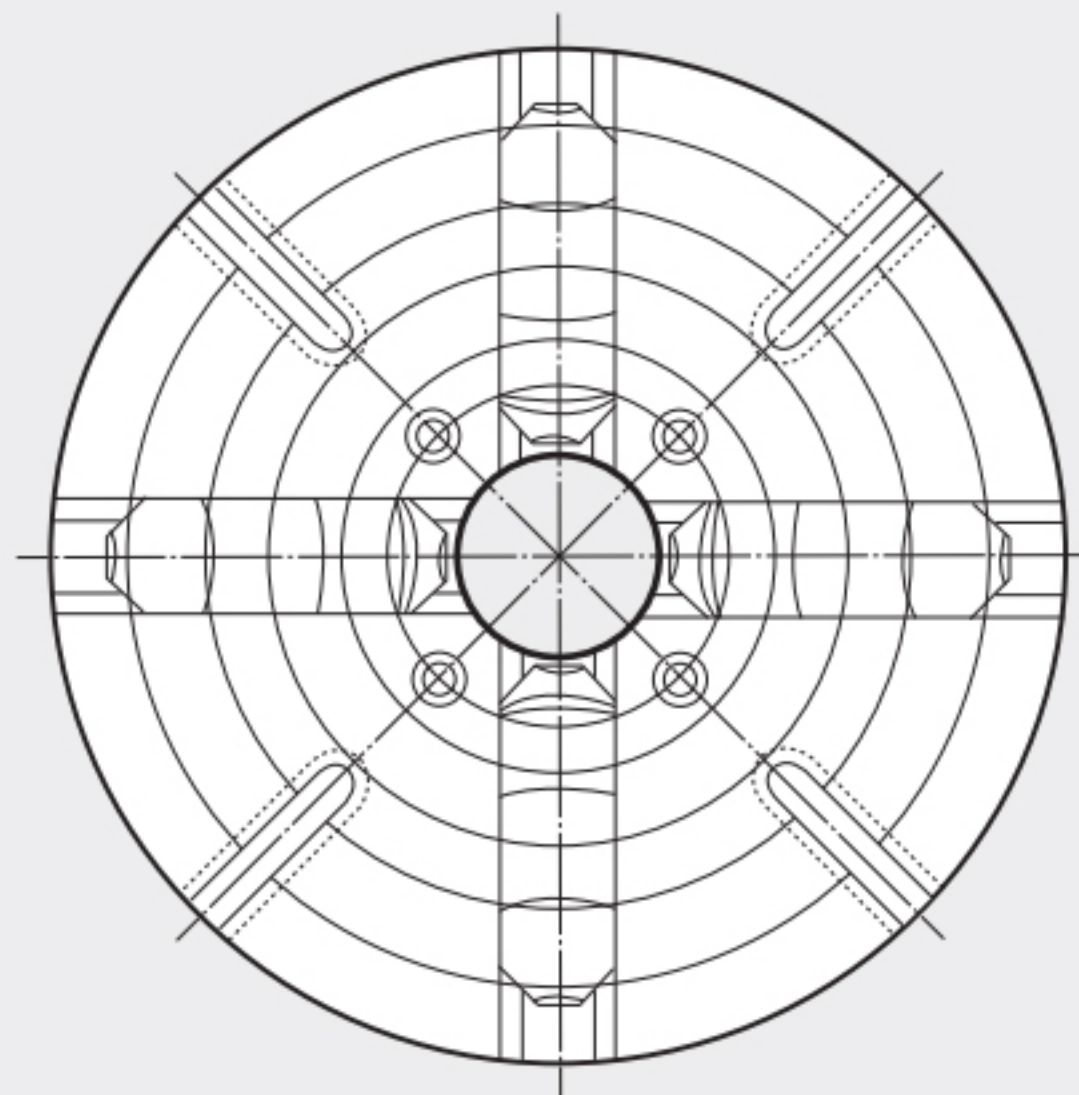
Independent Chuck (Hard Jaws) (200mm - 400mm)



■ 4-jaw Independent chuck
(incl. reversible hard jaws)

■ 独立卡盘 (包括可翻转硬爪)

INDEPENDENT CHUCK



Dimensions

	ΦA	B	ΦC1	ΦC2	ΦD	ΦE	F	G	H	J	K	L
IC-08	200	75	200	175	155	50.6	6	M12	75	30	30	10
IC-10	250	80	165	150	125	55.6	6	M12	90	30	35	10
IC-12	300	90	186	170	140	65	6	M12	100	35	40	12
IC-14	350	90	210	190	160	75	8	M12	110	35	45	12
IC-16	400	100	130	210	180	90	8	M16	120	40	50	14

Specifications

Type	Max. Static Gripping Force	Clamping Range		Max. R.P.M.	Weight	GD ²
	最大静态夹持力 [kN(kgf)]	夹持直径				
		External [φmm]	Internal [φmm]			
IC-08	1000	75	185	1600	14.8	0.3
IC-10	1400	95	220	1600	21	0.6
IC-12	1600	125	265	1400	29.5	1.4
IC-14	1700	155	310	1400	40	2.9
IC-16	2000	190	360	1200	56.5	4.5

※ Specifications are subject to change without notice.

※ 技术规格若发生改变, 恕不另行通知.