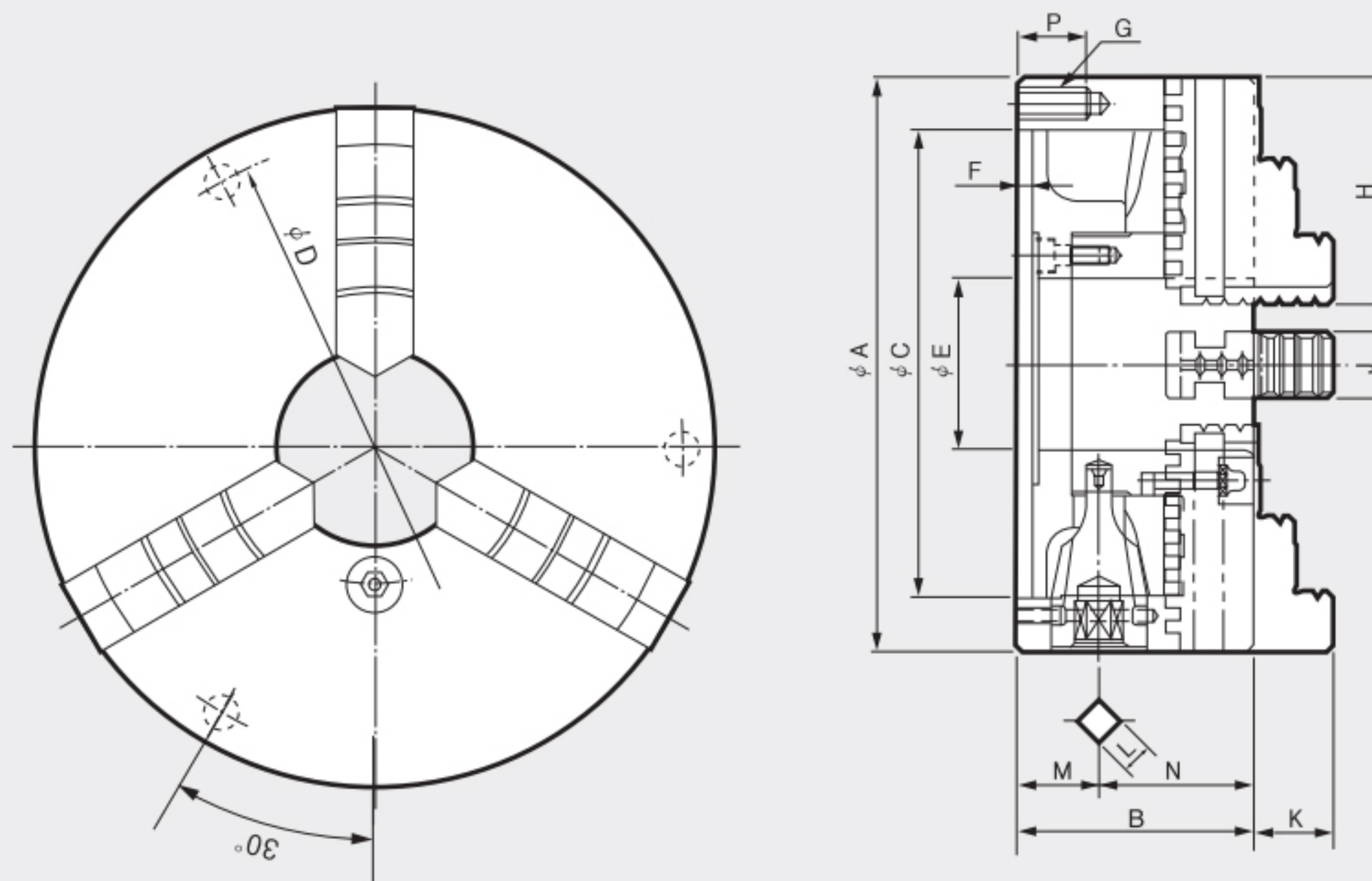


Standard Scroll Chuck (Hard Jaws) (85mm -192mm)



- Standard solid jaw scroll chuck (incl. internal and external hard jaws)
- 标准单件卡爪卡盘(包括内外卡爪)

SCROLL CHUCK



Dimensions

	ΦA	B	ΦC(H6)	ΦD	ΦE	F	G	H	J	K	L	M	N	P
SC-85(3")	85	44.1	60	58.7	16	3.5	3-M6	35	11	14.6	7	17	27.1	13
SC-110(4")	110	58	80	96	24	4.5	3-M8	44	14	20.0	8	24.5	32.35	16
SC-130(5")	130	60	100	115	34	4.5	3-M8	50	16	20.1	8	22.5	37	16
SC-165(6")	167	65	130	147	45	5	3-M10	65	19	25.07	10	24	41	20
SC-190(7")	192	75	155	172	57	5	3-M10	75	22	30.06	11	27.5	47.5	20

Specifications

Type	Max. Static Gripping Force 最大静态夹持力 [kN(kgf)]	Clamping Range 夹持直径		Handle Torque 操作力矩 [N·m(kgf·m)]	Max. R.P.M. 最大转速 [min ⁻¹ (r.p.m)]	Weight 重量 [kgf]	GD ² 容许工作惯性 [N·m ² (kgf·m ²)]
		External [φmm]	Internal [φmm]				
SC-85 (3")	9(918)	2~70	24~64	29.4(3.0)	2500	1.5	0.05(0.005)
SC-110 (4")	12(1224)	3~94	29~84	44.1(4.1)	2500	3.1	0.17(0.017)
SC-130 (5")	15(1530)	3~110	3~100	63.7(6.5)	2500	4.4	0.35(0.036)
SC-165 (6")	31(3161)	3~160	48~150	88.3(9.0)	4000	11.4	1.18(0.12)
SC-190 (7")	31(3161)	4~180	56~170	107.9(11.0)	3500	12.2	2.35(0.24)

※ Specifications are subject to change without notice.

※ 技术规格若发生改变, 恕不另行通知.